



Template VehicleOverview.pdf

Martin Stollberger

March 2, 2019

Abstract

The Vehicle Overview document is used to easily identify the locations of the mayor system components. It is manly used during technical inspection and should be always up to date. If some locations are changing after ASF is closed, please bring an updated (marked as such!) version to technical inspection.

1 Document Requirements

Provide a side and top view of your vehicle, with transparent or removed bodywork. Mark the positions of all EBS relevant components.

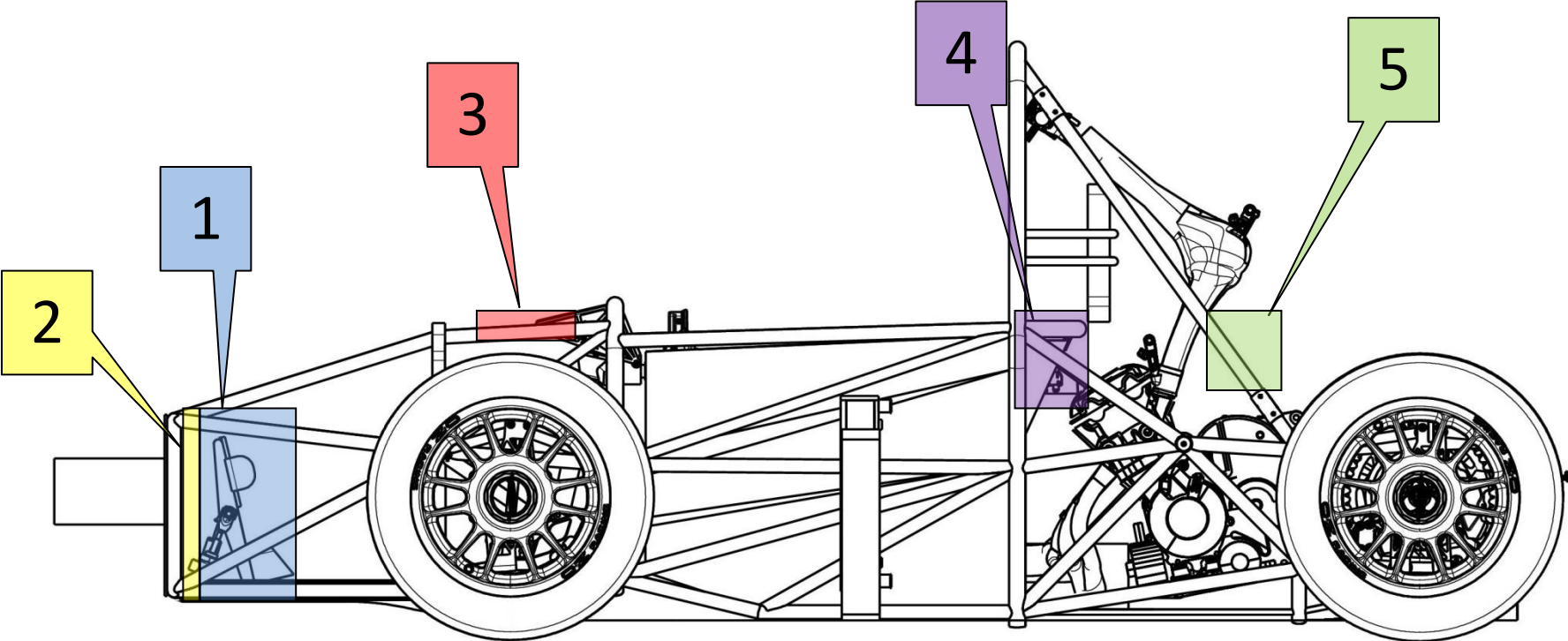
- All parts from the Hydraulic / Pneumatic diagram except the base vehicles brake circuit. (lines and connectors are optional and do not need to be marked)
- All EBS relevant Actors (Valves, cylinders, electrical actuators)
- All energy storages (e.g. pressure tanks)
- All sensors used for EBS monitoring
- All ECUs and logic parts involved in EBS
- Deactivation Points
- All relevant mechanical assemblies shown in the Mechanical Parts document

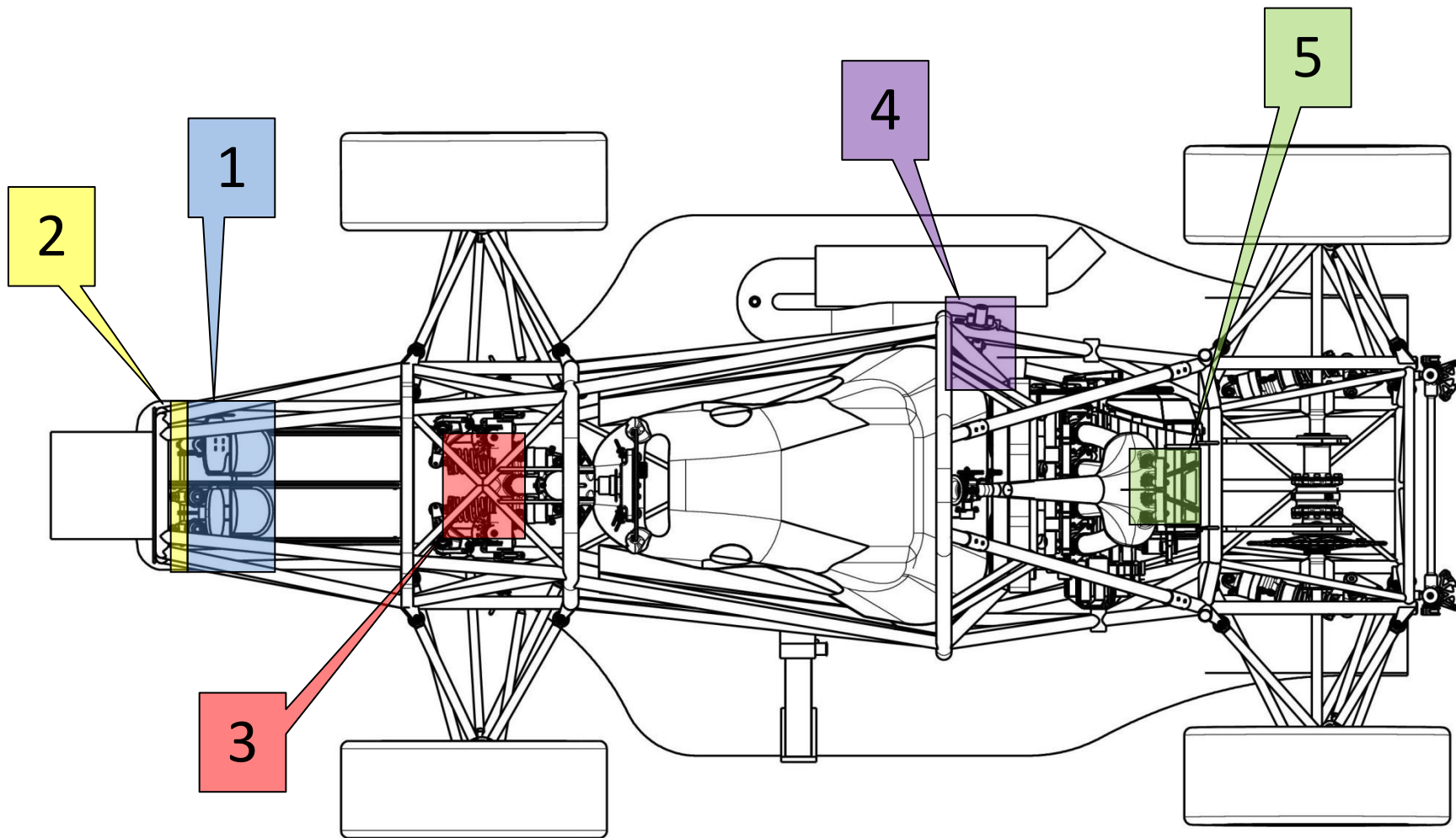
If some components are located in a small area they might be grouped and marked together. Mark the locations by consecutive numbers and provide a legend table as shown in the example below.

This sheet is used during technical inspection to easily identify all EBS parts. If locations are changing, please bring updated (marked as such!) drawings to tech inspection.

2 Example

Warning: The following example shows only how the document could look like and what is meant by the different checklist points. The technical content is not necessarily compliant to the rules nor necessarily related to the other documents nor function at all.





Mark No.	Unambiguous Name / short description	References Item / Document
x	This field should basically describe what kind of component it is and for what it is used. Please use unambiguous self explaining names like: -EBS release Valve right -Pressure tank rear etc.	Self made mechanical parts (e.g. paddle box): MechanicalParts.pdf: Page Page#; Fluid Parts (e.g. Sensors, Valves): AIR: AIR Name HydraulicPneumaticSystem.pdf: Page Page#; Identifier Electrical Parts (e.g. ECUs): AIR: AIR Name WiringDiagram.pdf: Page Page#; Identifier
1	Paddle box assembly	MechanicalParts.pdf; Page 2
2	Valve plate (Group)	-
2.1	EBS activation valve left	AIR: FESTO - magnetic valve MHE2-MS1H-5/2-M7-K HydraulicPneumaticSystem.pdf: Page 1; QM1 WiringDiagram.pdf: Page 3;
2.2	EBS activation valve right	AIR: FESTO - magnetic valve MHE2-MS1H-5/2-M7-K HydraulicPneumaticSystem.pdf: Page 1; QM2 WiringDiagram.pdf: Page 3;
2.3	Pressure sensor left	AIR: Variohm - EPT1200 25bar HydraulicPneumaticSystem.pdf: Page 1; BP5 WiringDiagram.pdf: Page 4;
2.4	Pressure sensor right	AIR: Variohm - EPT1200 25bar HydraulicPneumaticSystem.pdf: Page 1; BP7 WiringDiagram.pdf: Page 4;
3	EBS Supervisor ECU	WiringDiagram.pdf: Page 5;
4	EBS deactivation manual valve	AIR: FESTO - ball valve QH-1/4 HydraulicPneumaticSystem.pdf: Page 1; SJ2
5	Main pressure tank	AIR: FESTO - air tank CRVZS-.75 HydraulicPneumaticSystem.pdf: Page 1; CM1



3 Document Checklist

The following checklist will give you an overview of the points which mandatorily have to be fulfilled to get an approval. This checklist will also be used during the review process. But the the review is not only limited to this list. We will check additional points as well.

GENERAL REQUIREMENTS

- | | |
|--|--|
| 1 <input type="radio"/> Document is printable in DIN A4. | 4 <input type="radio"/> Relevant text is embedded as text and not as picture (search-able). |
| 2 <input type="radio"/> Team name, University, Car# is written on every page. | 5 <input type="radio"/> Document name is written on every page. |
| 3 <input type="radio"/> Pictures well sized and in good resolution (vector or 300dpi). | 6 <input type="radio"/> All Pages are numbered, including total number of pages e.g. Page 1/5. |

SPECIFIC REQUIREMENTS

- | | |
|---|---|
| 7 <input type="radio"/> Top and side view with transparent or removed bodywork. | 11 <input type="radio"/> All ECUs and logic parts involved in EBS marked/listed. |
| 8 <input type="radio"/> All parts from the Hydraulic / Pneumatic diagram are marked/listed. | 12 <input type="radio"/> Deactivation Points marked. |
| 9 <input type="radio"/> All EBS relevant Actors marked/listed. | 13 <input type="radio"/> All relevant mechanical assemblies shown in the Mechanical Parts document marked/listed. |
| 10 <input type="radio"/> All sensors used for EBS monitoring marked/listed. | 14 <input type="radio"/> All Items are correctly referenced to the according documents and marked. |

Changelog

V1.0: Initial Version.